

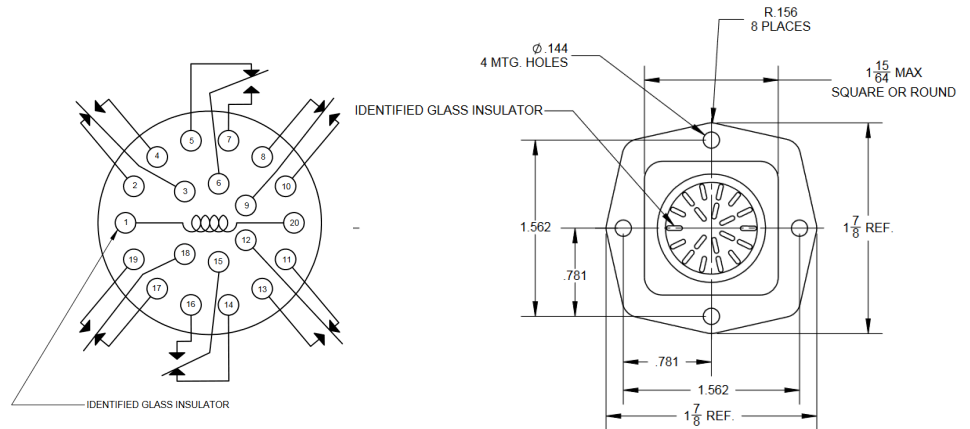
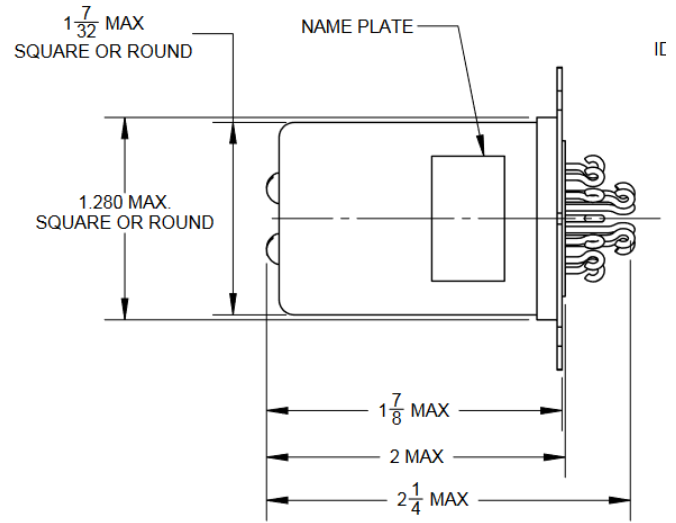
TX-1991, Relay, Armature NSN: 5945-00-501-8843



Actual product may differ from image shown.

Product Overview:

- Mains, 6PDT
- Rated for 5 Amps, DC
- Hermetically sealed
- Contact NPAS for specific needs and customizable options.



Performance Specifications

Coil Data		Contact Data				
Nominal Voltage	28VDC	6PDT				
Pickup	18VDC max					
Dropout	7 - .75 VDC	Life (cycles)	30VDC (amps)	350VDC (amps)	115, 60Hz (amps)	115, 400Hz (amps)
Coil Resistance	190Ω ± 10% @ 25°C	100,000	5	-	-	-
Coil Current	Nominal .170 amps	-	-	-	-	-
Suppression	-	-	-	-	-	-
Duty	Continuous	-	-	-	-	-
Electrical Data		Mechanical	1,000,000	-	-	-
Insulation Resistance	≥10GΩ @ 500VDC min	Voltage Drop	-			
Dielectric Strength (sea level)		Contact Resistance	20mΩ			
Contacts to Ground	1000Vrms	Operate	15ms			
Between contacts	1000Vrms	Release	15ms			
Coil to Ground	1000Vrms	Transfer	-			
Environmental		Bounce	10ms			
Temperature range	-65°C to +125°C	Mechanical Data				
Altitude	-	Weight				
Shock	MIL-STD-202/213 test condition C	Specifications IAW				
Vibration, sinusoidal	4G, 10-300Hz	Meets materials and workmanship requirements of MIL-PRF-5757				