

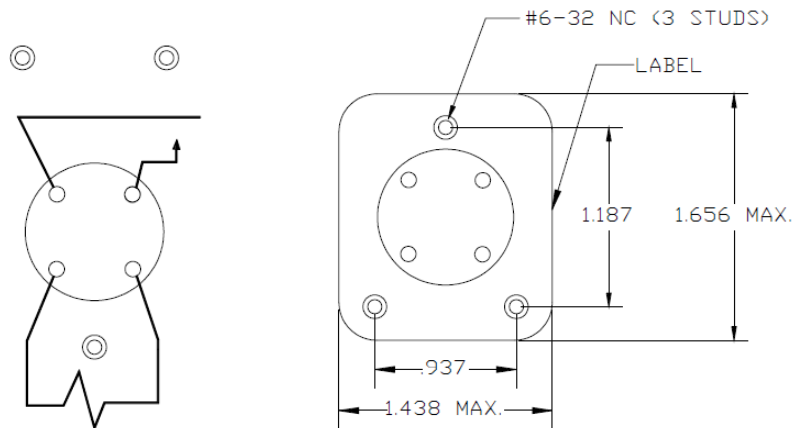
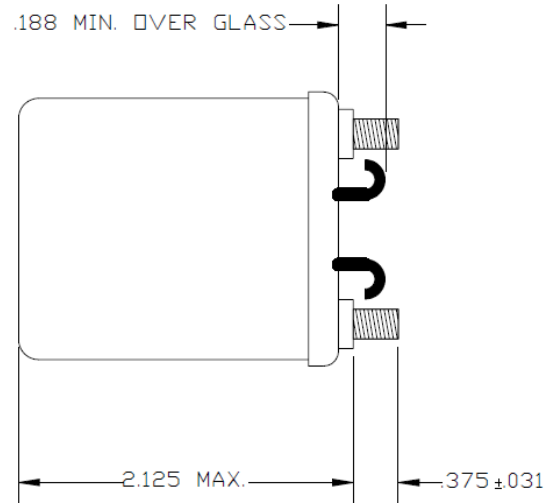
MBH-2100, Relay, Armature NSN: 5945-01-117-2750



Actual product may differ from image shown.

Product Overview:

- Hermetically sealed
- SPST Normally Open
- Rated for 10 Amps
- Nominal Voltage 110VDC ± 10%
- Contact NPAS for specific needs and customizable options.



Performance Specifications

Coil Data		Arrangement	Contact Data					
Nominal Voltage	110VDC ±10%		Main			Auxiliary		
Pickup	90VDC over temp range	SPST, NO						
Dropout	55 - 1.5 VDC	Rating	Life (cycles)	28VDC (amps)	250VAC (amps)	Life (cycles)	28VDC (amps)	115VAC (amps)
Coil Resistance	10,000Ω ± 10% @ 25°C	Resistive	10,000 min	-	10	-	-	-
Coil Current	-	Inductive	-	-	-	-	-	-
Suppression	-	Motor	-	-	-	-	-	-
Duty	Continuous	Lamp	-	-	-	-	-	-
		Rupture	-	-	-	-	-	-
		Mechanical	100,000	-	-	-	-	-
		Voltage Drop	-					
		Contact Resistance	50mΩ					
		Timing	20ms max, 2ms min					
		Release	-					
		Transfer	-					
		Bounce	-					
		Mechanical Data	-					
		Weight	-					
		Specifications IAW	Meets materials and workmanship requirements of MIL-PRF-6106					
Electrical Data								
Insulation Resistance	≥1000MΩ @ 500VDC min							
Dielectric Strength (sea level)								
Contacts to Ground	1000Vrms							
Between contacts	1000Vrms							
Coil to Ground	1000Vrms							
Environmental								
Temperature range	-57°C to +54°C							
Altitude	15,000ft							
Shock	50G, 11ms, 1/2 sine							
Vibration, sinusoidal	10g, 10-55Hz							