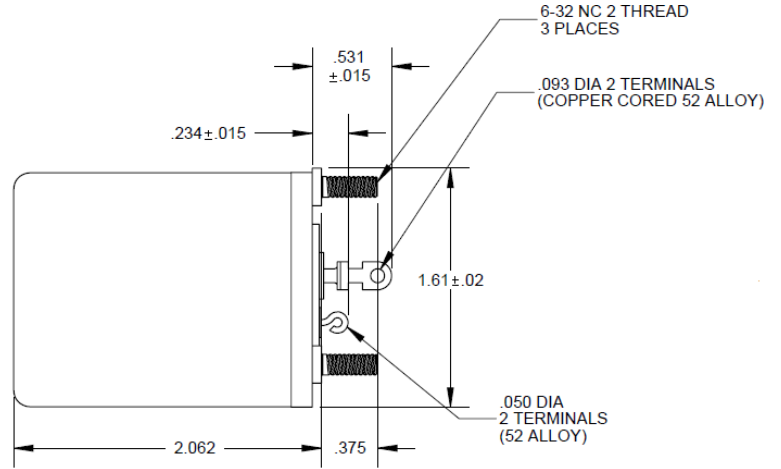
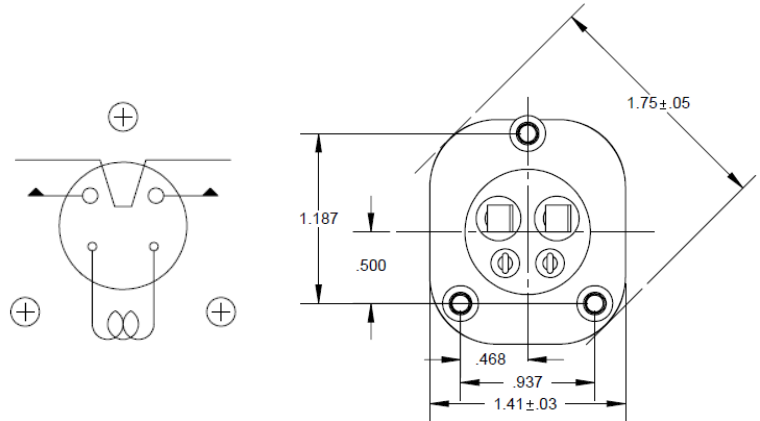


MBH-1925, Relay NSN: 5945-00-949-9012



Product Overview:

- SPST Normally Open
- Rated for 50 Amp Motor loads
- Meets many requirements of MIL-PRF-6106
- Contact NPAS for specific needs and customizable options.



Performance Specifications

Coil Data		Contact Data					
Nominal Voltage	28VDC	Main			Auxiliary		
Pickup	18VDC max	SPST, NO					
Dropout	12 - 4 VDC	Life (cycles)	30VDC (amps)	115VAC (amps)	Life (cycles)	28VDC (amps)	115VAC (amps)
Coil Resistance	200Ω ± 10%						
Coil Current	-						
Suppression	-						
Duty	Continuous						
Electrical Data		Mechanical					
Insulation Resistance	≥100MΩ @ 500VDC min	Life (cycles)	30VDC (amps)	115VAC (amps)	Life (cycles)	28VDC (amps)	115VAC (amps)
Dielectric Strength (sea level)		100,000	-	-	-	-	-
Contacts to Ground	1250Vrms, 1s	Voltage Drop	150mV				
Between contacts	1250Vrms, 1s	Contact Resistance	-				
Coil to Ground	1250Vrms, 1s	Timing	50ms				
Environmental		Release	-				
Temperature range	-65°F to +275°F	Transfer	-				
Altitude	10,000ft	Bounce	-				
Shock	-	Mechanical Data					
Vibration, sinusoidal	10g, 3-500Hz	Weight	6 oz. max				
		Specifications IAW	Meets materials and workmanship requirements of MIL-PRF-6106				