

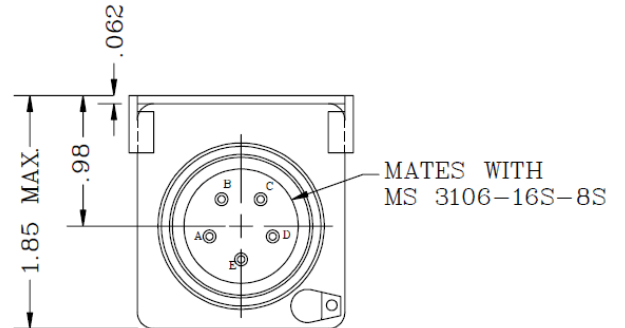
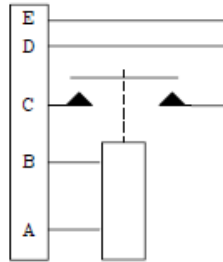
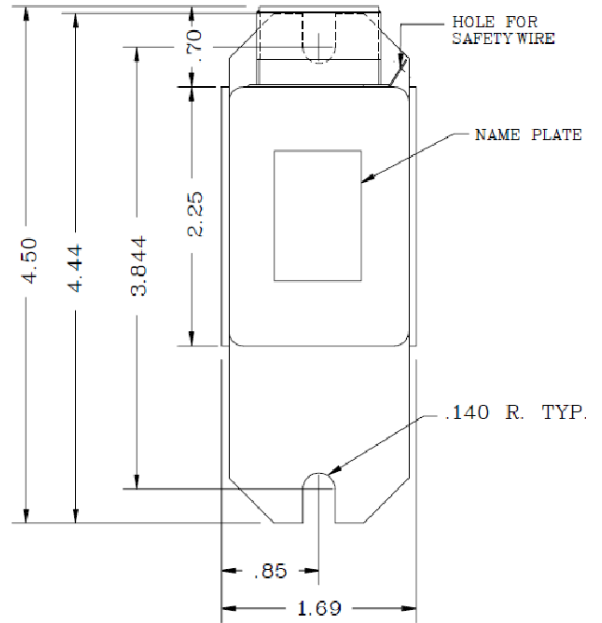
G-1070-AH720-R, Relay, SPST, NO NSN: 5945-01-146-1429



Actual product may differ from image shown.

Product Overview:

- Main Contacts SPST Normally Open
- Rated for 15 Amps, DC
- Contact NPAS for specific needs and customizable options.



Performance Specifications

Coil Data		Contact Data											
		Main			Auxiliary								
		SPST, NO			N/A								
		Life (cycles)	29VDC (amps)	200VAC (amps)	Life (cycles)	28VDC (amps)	115VAC (amps)						
Nominal Voltage	28VDC	125mV	50,000	15	-	-	-						
Pickup	16VDC max												
Dropout	3 - 1.5 VDC												
Coil Resistance	-												
Coil Current	-												
Suppression	-												
Duty	Intermittent												
Electrical Data								Mechanical					
Insulation Resistance	≥10MΩ @ 500VDC min							100,000					
Environmental								Mechanical Data					
Temperature range	-65°F to +200°F	Voltage Drop											
Altitude	50,000 ft	Contact Resistance											
Shock	-	Timing											
Vibration, sinusoidal	Per ESD 899	Release											
		Transfer											
		Bounce											
		Weight											
		Specifications IAW											
		10 oz.											
		Meets materials and workmanship requirements of EDS 899											