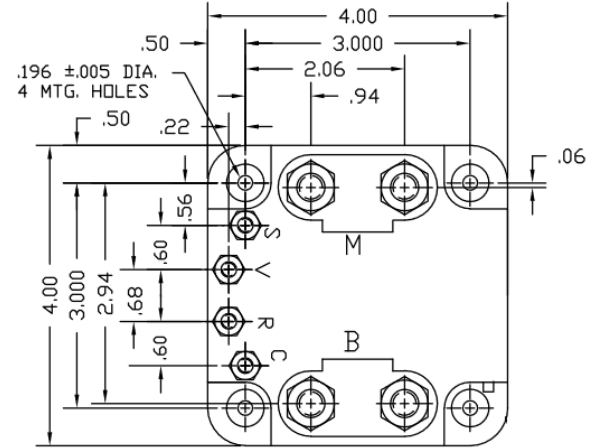


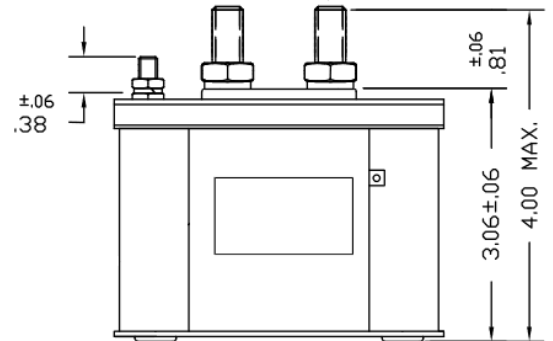
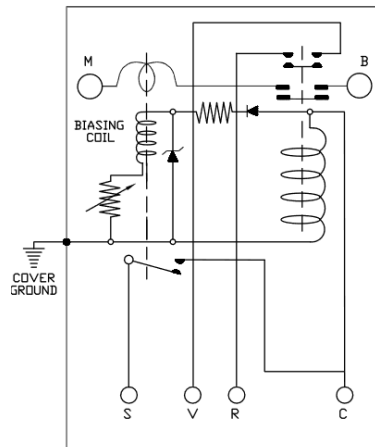
G-1025-A711JM-C, Relay—600 Amp, SPST Automatic Dropout NSN: 5945-00-916-7893



Actual product may differ from image shown.

Product Overview:

- Mains SPST NO
- Starter relay rated for 600 Amps DC
- Dropout current at any contactor voltage 150 Amps ±15
- Contact NPAS for specific needs and customizable options.



Performance Specifications

Coil Data				Contact Data					
		Main			Auxiliary				
		SPST NO							
		Life (cycles)	28VDC (amps)	115VAC (amps)	Life (cycles)	28VDC (amps)	115VAC (amps)		
Nominal Voltage	28VDC	25,000	600	-	25,000	5	-		
Pickup	17VDC max	-	-	-	-	-	-		
Dropout	14 VDC	-	-	-	-	-	-		
Coil Resistance	36Ω ± 10% (Terminal C to GND)	-	-	-	-	-	-		
Coil Current	2 amps	-	-	-	-	-	-		
Suppression	-	-	-	-	-	-	-		
Duty	Intermittent, 3 minutes max	-	-	-	-	-	-		
Electrical Data		Mechanical							
Insulation Resistance	≥100MΩ @ 500VDC min	100,000	-	-	100,000	-	-		
Dielectric Strength (sea level)		Voltage Drop						125mV	
Contacts to Ground	1050Vrms	Contact Resistance							
Between contacts	1050Vrms	Timing							
Coil to Ground	1050Vrms	Release							
Environmental		Transfer							
Temperature range	-55°C to +71°C	Bounce							
Altitude	-	Mechanical Data							
Shock	-	Weight						3 lbs. 13 oz.	
Vibration, sinusoidal	-	Specifications IAW						Meets materials and workmanship requirements of MIL-PRF-6106	