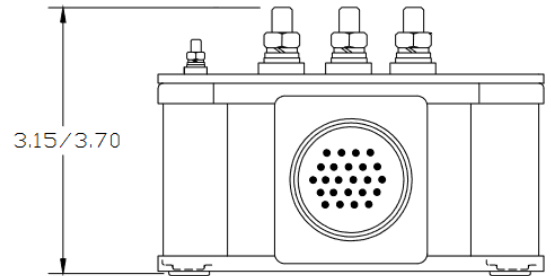
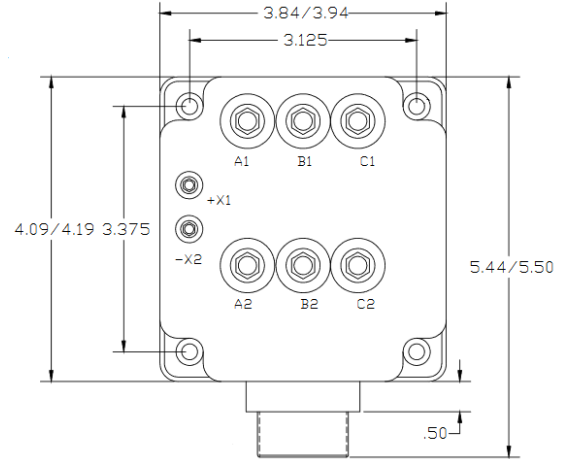
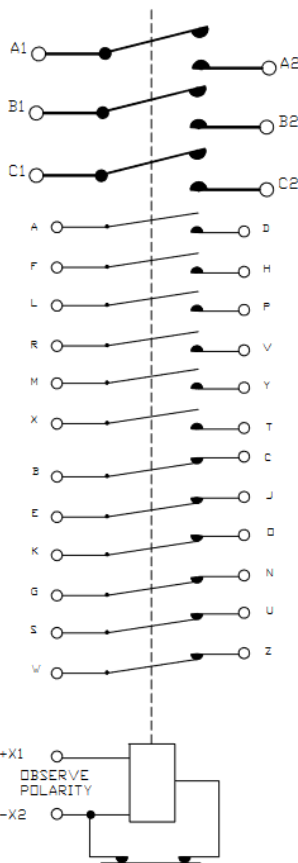
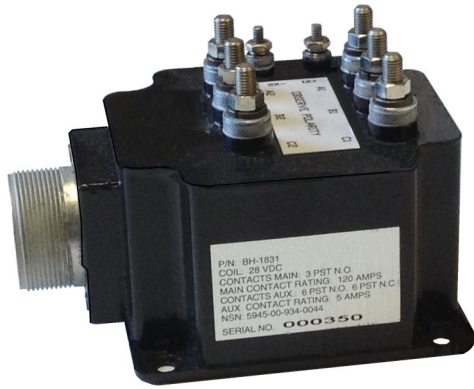


BH-1831, Contactor - 40KVA 3PST NO, 120amp, 115/200V NSN: 5945-00-934-0044



Actual product may differ from image shown.

Product Overview:

- Mains 3PST NO
- Rated for 120 Amps AC
- Hermetically sealed
- Contact NPAS for specific needs and customizable options.

Performance Specifications

Coil Data		Contact Data					
		Main			Auxiliary		
		3PST NO			6PST NO, 6PST NC		
Nominal Voltage	28VDC	Life (cycles)	28VDC (amps)	200VAC (amps)	Life (cycles)	28VDC (amps)	115VAC (amps)
Pickup	18VDC @ 71°C	50,000	-	120	50,000	5	5
Dropout	7 - 1.5 VDC	50,000	-	120	50,000	3	3
Coil Resistance	-	50,000	-	120	-	-	-
Coil Current	-	-	-	-	50,000	2	2
Suppression	-	-	-	2000	-	-	-
Duty	Continuous, economizing	100,000	-	-	100,000	-	-
Electrical Data		Mechanical					
Insulation Resistance	≥100MΩ @ 500VDC min	Voltage Drop					
Dielectric Strength (sea level)		200mV mains, 300mV auxiliaries					
Contacts to Ground	1050Vrms	Contact Resistance					
Between contacts	1050Vrms	Timing					
Coil to Ground	1050Vrms	Release					
Environmental		Transfer					
Temperature range	-55°C to +71°C	Bounce					
Altitude	80,000 ft. max	Mechanical Data					
Shock	15Gs, 11ms	Weight					
Vibration, sinusoidal	10Gs 10-2000 Hz	3 lbs. 7 oz.					
Specifications IAW		Meets materials and workmanship requirements of MIL-PRF-6106					