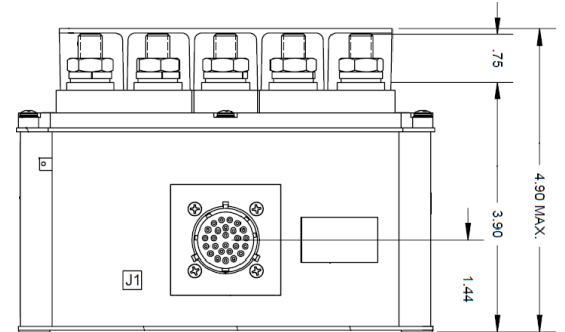
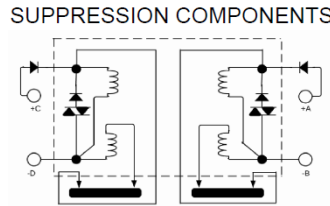
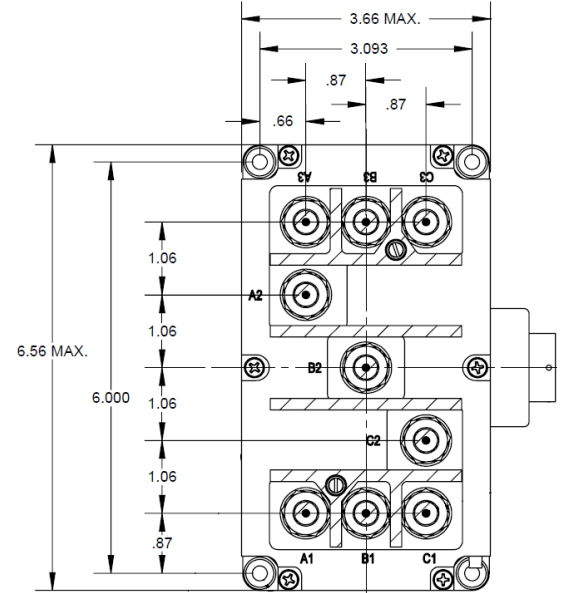
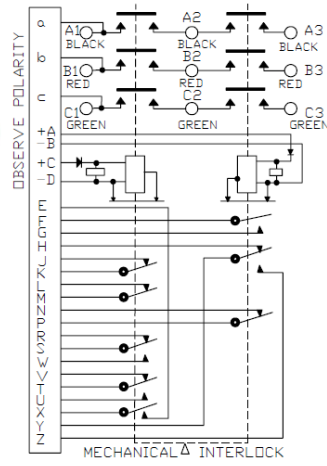


B-1570-345D, Contactor, 3PDT Center Off Double Break, 225 Amp 115/200 VAC 400Hz, NSN: 5945-00-614-1546



Actual product may differ from image shown.

Product Overview:

- Mains: 3PDT Center Off, Double Break
- Auxiliaries: Generator Circuit: 2 SPDT, 2 SPST NC, 1 SPST NO
Alt. Circuit: 1 SPST NO, 1 SPST NC, 1 SPDT
- Rated for 225 Amps, AC
- Mechanical interlock
- Contact NPAS for specific needs and customizable options.

Performance Specifications

Coil Data		Contact Data					
		Main			Auxiliary		
		3PDT, Double Break			3PDT, 3PST NC, 2PST NO		
Nominal Voltage	18-30 VDC	Life (cycles)	28VDC (amps)	200VAC (amps)	Life (cycles)	28VDC (amps)	200VAC (amps)
Pickup	18VDC max	50,000	-	225	50,000	5	5
Dropout	14 - 1 VDC	-	-	-	50,000	5	5
Coil Resistance	-	-	-	-	-	-	-
Coil Current	Inrush - 5 amps, Hold - .35amps	-	-	-	50,000	1	1
Suppression	Limited to ± 50V ref to zero	-	-	1000	-	-	-
Duty	Continuous, economizing	100,000	-	-	-	-	-
Electrical Data		Mechanical					
Insulation Resistance	≥100MΩ @ 500VDC min	Voltage Drop	125mV				
Dielectric Strength (sea level)		Contact Resistance	-				
Contacts to Ground	1500Vrms	Timing	25ms				
Between contacts	1500Vrms	Release	20ms				
Coil to Ground	1050Vrms	Transfer	10ms				
Environmental		Bounce	-				
Temperature range	-65°F to +160°F	Mechanical Data					
Altitude	50,000 ft max	Weight	4.9 lbs.				
Shock	15G's. 11ms	Specifications IAW					
Vibration, sinusoidal	Per MIL-E-5272, Proc XII - A	Meets materials and workmanship requirements of MIL-C-24010					